



产品特点

- 体积小, 重量轻, 方便安装
- 2路正交输出信号 (A,B)+零位信号
- 分辨率高达1024脉冲

Features

- Miniature size, easy assembling
- 2 quadrature output channel (A&B)+index signal
- Resolution up to 1024 cpr

型号说明 Ordering Information

| | | | | | | | | | | | | |
|---------------|--------------------------|--------------------|--------------------------------|-----------------------|---------------------|---|-----|--|-----|---|---|---|
| HKT30 | 04 | - | 3 | 01 | G | - | 500 | | BZ3 | - | 5 | L |
| 孔径/Shaft Dia. | 光栅材质 Material of Disk | 出线方式 Connection | 分辨率/Resolution | 输出信号 Output Signal | 输出方式/ Output Mode | | | | | | | |
| 04: 4mm | 3: 菲林/Mylar | C: 插针/Pin | 2通道 2 channel | B: AB | E: 电压输出/TTL | | | | | | | |
| 05: 5mm | 2: 金属/Metal | G: 电缆/Cable | 3通道 3 channel | BZ3: AB+index | L: 长线驱动/Line Driver | | | | | | | |
| 06: 6mm | | C1: 排线 /Ribbon | 100/200/300 | | | | | | | | | |
| 06.35: 6.35mm | | | 0/360/400/500/512/1000/1024 | | | | | | | | | |
| 08: 8mm | | | 50/100/200/300/360/400/500/512 | | | | | | | | | |

备注 / Note:

- 1 下单前请联系销售人员确认型号 / Please contact sales representative to confirm the correctness and availability of the part number
- 2 分辨率1000/1024仅菲林光栅可选 / 1000/1024 cpr is only available with mylar disk

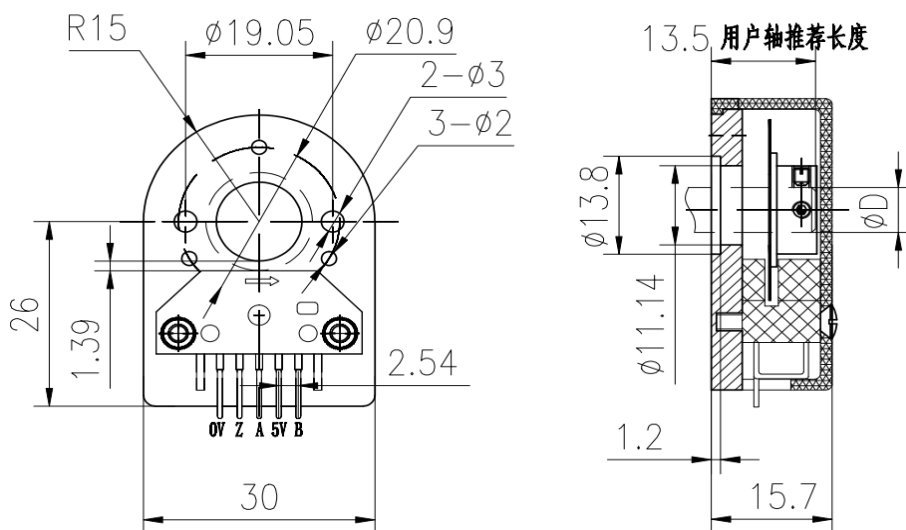
技术参数 Technical Specifications

| 参数/Parameter | 标准数值/Typ Value | 备注/Note |
|---------------------------------|------------------------------|---|
| 电源电压/supply Voltage | DC 5V (±10%) | *1 最大响应频率受限于最大转速 |
| 最大响应频率/Max. Response Frequency | 100 kHz | Max. response frequency is gated by max. rotation speed |
| 最大转速/Max. Rotation Speed (*1) | 3000 rpm | |
| 最大消耗电流/Max. Current Consumption | 120mA (空载/Unloaded) | |
| 最大上升-下降时间/Max. Rise-Fall Time | 200ns (长线驱动/Line Driver) | |
| 最大上升-下降时间/Max. Rise-Fall Time | 1us (其他输出/Other Output Mode) | |
| 工作温度/Operating Temperature | -20 ~ 85°C (不结冰/unfrozen) | |
| 储存温度/Storage Temperature | -20 ~ 85°C (不结冰/unfrozen) | |

接线表 Connection Table

| | | | | | | | | | | | | | | |
|----------------------|-------|------|------|------|------|------|------|------|----------------------|-------|------|------|------|------|
| 长线驱动 Line Driver | 0V | Vcc | A+ | A- | B- | B+ | Z+ | Z- | 电压输出 TTL | 0V | Z | A | Vcc | B |
| 排线线号 Ribbon Cable | Color | 2 | 3 | 4 | 5 | 6 | 7 | 8 | 排线线号 Ribbon Cable | Color | 2 | 3 | 4 | 5 |
| 接线颜色 Wire Color | 黑 BK | 红 RD | 绿 GN | 棕 BN | 灰 GY | 白 WH | 黄 YE | 橙 OG | 接线颜色 Wire Color | 黑 BK | 黄 YE | 绿 GN | 红 RD | 白 WH |

产品尺寸 Dimensions



输出波形 Output Waveform

